



KARIN VX HORIZONTAL



EUROPEAN WARRANTY

MATERIAL:

- Vertical collectors in painted mild steel ϕ 30 mm.
- Rectangular horizontal heating elements in painted mild steel 15x20 mm.

FIXING KIT:

Brackets, airvent, hexagonal tool, plugs and screws for mounting suitable for use on compact or hollow brick, user notice. The kit is certified from TÜV in compliance with VDI 6036 -

class 4.

PACKAGING:

Carton angular and profiles protected by a recyclable film in polyethylene. User notice included.

PAINTING PROCESS:

Painted with ecological epoxy powders (Certificate DIN 55900-1;-2).

COLOURS:

See colour chart.

ACCESSORIES:

For the complete list, please refer to the accessories chapter.

Width L [mm]	500	600	800	1000	1200	1400	1500	1600
Dry Weight per section [kg]	0,333	0,389	0,501	0,613	0,725	0,837	0,893	0,949
Element water content [lt]	0,140	0,162	0,206	0,250	0,294	0,338	0,360	0,382
Element surface [m ²]	0,400	0,047	0,061	0,075	0,089	0,103	0,110	0,117
Pipe centres l [mm] (H1 only)	470	570	770	970	1170	1370	1470	1570

For output at different ΔT , please refer to the following formula: $\text{desired output} = \text{output at } \Delta T 50 \times (\text{desired } \Delta T / 50)^n$

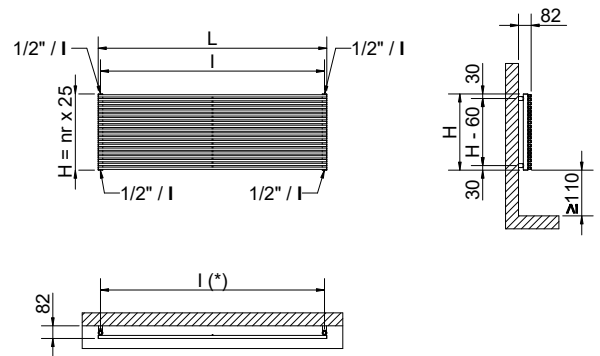
Width L [mm]	1700	1800	1900	2000	2200	2300	2500
Dry Weight per section [kg]	1,005	1,061	1,117	1,173	1,285	1,341	1,453
Element water content [lt]	0,404	0,426	0,448	0,470	0,514	0,536	0,580
Element surface [m ²]	0,124	0,131	0,138	0,145	0,159	0,166	0,180
Pipe centres l [mm] (H1 only)	1670	1770	1870	1970	2170	2270	2470

P. Max: 8 bar

T. Max: 110° C

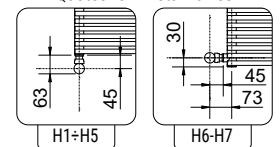
Functioning: hot water

Connections: n° 2 x 1/2" G - 1 x 1/2" G

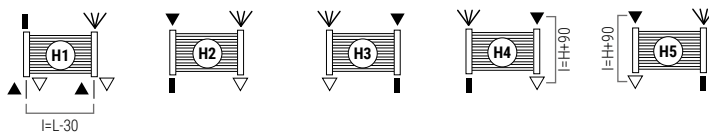


(*) The fixing kit has the same pipe centre (l) as the radiator

Quotes for Kristal valves

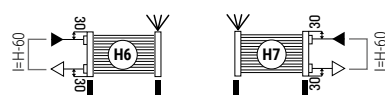


STANDARD CONNECTIONS WITHOUT SURCHARGE



LEGENDA: In Out airvent H Height l pipe centres L width connection welded cap

SPECIAL CONNECTIONS



Always specify the kind of connection needed when ordering.
Bidirectional pipe connection not available

HOW TO ORDER THE RADIATOR KARIN VX HORIZONTAL

ARTICLE NR. STRUCTURE	Radiator model	Nr of Elements	Width in cm	Code of the connection	Code of the colour	Constant value
AAAA	BB	CCC	DDD	EEE	A	

EXAMPLE	Radiator model	Nr of Elements	Width in cm	Code of the connection	Code of the colour	Constant value
KA15	24	160	H07	S16	A	

EXAMPLE OF ARTICLE CODE CREATION
 In the case of a radiator:
KA15 ... KARIN VX HORIZONTAL
24 ... 24 elements
160 ... width 1600 mm
H07 ... connection H7
S16 ... colour S16 - Canary
A ... (Constant value)
 The article code will be:
KA15 24 160 H07 S16 A

ACCESSORIES

If ordered separately from the radiator, the accessories are available in standard white only

<p>Kristal valve square with thermostatic option white R01 Copper conn. ϕ 12/14/15 Art. nr. 5991990311161 Multilayer conn. ϕ 16 Art. nr. 5991990311160</p>	<p>Kristal valve corner right with thermostatic option white R01 Copper conn. ϕ 12/14/15 Art. nr. 5991990311176 Multilayer conn. ϕ 16 Art. nr. 5991990311175</p>	<p>Pair of white tube cover kit Art. nr. 5103000000060</p>
---	---	---

Art. nr. are referred to colour WHITE R01



KARIN VX HORIZONTAL

Width L [mm]		500	600	800	1000	1200	1400	1500	1600	OUTPUT PER LINEAR METER	Exp. n
Height H [mm]	N° El.	Watt $\Delta t=50^{\circ}\text{C}$	Watt $\Delta t=50^{\circ}\text{C}$	Watt $\Delta t=50^{\circ}\text{C}$	Watt $\Delta t=50^{\circ}\text{C}$	Watt $\Delta t=50^{\circ}\text{C}$	Watt $\Delta t=50^{\circ}\text{C}$	Watt $\Delta t=50^{\circ}\text{C}$	Watt $\Delta t=50^{\circ}\text{C}$	Watt $\Delta t=30^{\circ}\text{C}$	
200	8	169	202	270	337	405	472	506	539	175	1,2882
250	10	211	253	338	422	507	591	633	676	221	1,2672
300	12	252	302	403	504	604	705	755	806	266	1,2465
350	14	290	348	464	580	696	812	870	928	310	1,2258
400	16	326	391	521	652	782	913	978	1043	352	1,2051
450	18	359	431	575	719	862	1006	1078	1150	390	1,1979
500	20	390	468	624	780	936	1092	1170	1248	425	1,1907
550	22	418	502	669	837	1004	1171	1255	1339	457	1,1846
600	24	444	533	711	888	1066	1244	1333	1421	485	1,1858
650	26	468	561	748	935	1122	1310	1403	1497	510	1,1881
700	28	489	587	782	978	1173	1369	1467	1564	532	1,1904
750	30	508	609	812	1016	1219	1422	1523	1625	552	1,1927
800	32	525	630	839	1049	1259	1469	1574	1679	570	1,1932
850	34	539	647	863	1079	1295	1510	1618	1726	586	1,1952
900	36	552	663	884	1105	1326	1547	1657	1768	599	1,1972
950	38	564	676	902	1127	1352	1578	1691	1803	611	1,1992
1000	40	573	687	917	1146	1375	1604	1719	1833	620	1,2012
1050	42	581	697	929	1161	1394	1626	1742	1858	628	1,2032
1100	44	587	704	939	1174	1409	1643	1761	1878	634	1,2052

All intermediate sizes are available for widths from 8 a 44 elements and heights from 500 to 2500 mm

Width L [mm]		1700	1800	1900	2000	2200	2300	2500	OUTPUT PER LINEAR METER	Exp. n
Height H [mm]	N° El.	Watt $\Delta t=50^{\circ}\text{C}$	Watt $\Delta t=50^{\circ}\text{C}$	Watt $\Delta t=50^{\circ}\text{C}$	Watt $\Delta t=50^{\circ}\text{C}$	Watt $\Delta t=50^{\circ}\text{C}$	Watt $\Delta t=50^{\circ}\text{C}$	Watt $\Delta t=50^{\circ}\text{C}$	Watt $\Delta t=30^{\circ}\text{C}$	
200	8	573	607	640	674	742	775	843	175	1,2882
250	10	718	760	802	845	929	971	1056	221	1,2672
300	12	856	906	957	1007	1108	1158	1259	266	1,2465
350	14	986	1044	1102	1160	1276	1334	1450	310	1,2258
400	16	1108	1173	1238	1304	1434	1499	1630	352	1,2051
450	18	1221	1293	1365	1437	1581	1653	1796	390	1,1979
500	20	1326	1404	1482	1560	1716	1794	1950	425	1,1907
550	22	1422	1506	1590	1673	1841	1924	2092	457	1,1846
600	24	1510	1599	1688	1777	1954	2043	2221	485	1,1858
650	26	1590	1684	1777	1871	2058	2151	2339	510	1,1881
700	28	1662	1760	1858	1955	2151	2249	2444	532	1,1904
750	30	1727	1828	1930	2031	2234	2336	2539	552	1,1927
800	32	1784	1889	1994	2099	2308	2413	2623	570	1,1932
850	34	1834	1942	2050	2158	2374	2481	2697	586	1,1952
900	36	1878	1989	2099	2210	2431	2541	2762	599	1,1972
950	38	1916	2029	2141	2254	2479	2592	2818	611	1,1992
1000	40	1948	2062	2177	2291	2521	2635	2864	620	1,2012
1050	42	1974	2090	2206	2323	2555	2671	2903	628	1,2032
1100	44	1995	2113	2230	2348	2582	2700	2935	634	1,2052

ARDESIA®

TOWEL RAILS

ELECTRIC

STAINLESS STEEL

RADIATORS

VENTILATION RADIATORS

MYWAY® ACCESSORIES AND TECHNICAL SUPPORT