



KARIN VX TANDEM HORIZONTAL



EUROPEAN WARRANTY

MATERIAL:

- Vertical collectors in painted mild steel ϕ 30 mm.
- Double row of rectangular horizontal heating elements in painted mild steel 15X20 mm.

FIXING KIT:

Brackets, airvent, hexagonal tool, plugs and screws for mounting suitable for use on compact or hollow brick, user notice. The kit is certified from TÜV in compliance with VDI 6036 -

class 4.

PACKAGING:

Carton angular and profiles protected by a recyclable film in polyethylene. User notice included.

PAINTING PROCESS:

Painted with ecological epoxy powders (Certificate DIN 55900-1;-2).

COLOURS:

See colour chart.

ACCESSORIES:

For the complete list, please refer to the accessories chapter.

Width L [mm]	500	600	800	1000	1200	1400	1500	1600	1700
Dry Weight per section [kg]	0,613	0,725	0,949	1,173	1,397	1,621	1,733	1,845	1,957
Element water content [lt]	0,250	0,295	0,383	0,472	0,561	0,650	0,694	0,738	0,783
Element surface [m ²]	0,075	0,089	0,117	0,145	0,173	0,201	0,215	0,229	0,243
Pipe centres l [mm] (H1 only)	470	570	770	970	1170	1370	1470	1570	1670

For output at different ΔT , please refer to the following formula: desired output = output at ΔT 50 x (desired ΔT /50)ⁿ

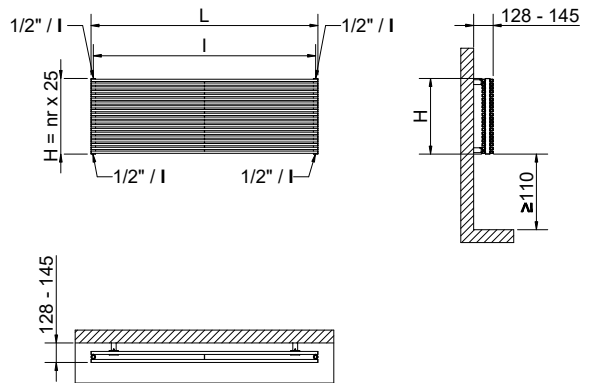
Width L [mm]	1800	1900	2000	2200	2300	2500
Dry Weight per section [kg]	2,069	2,181	2,293	2,405	2,517	2,629
Element water content [lt]	0,827	0,871	0,916	0,961	1,006	1,051
Element surface [m ²]	0,257	0,271	0,285	0,299	0,313	0,327
Pipe centres l [mm] (H1 only)	1770	1870	1970	2170	2270	2470

P. Max: 8 bar

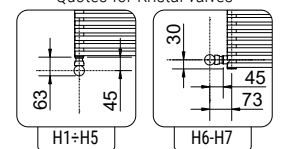
T. Max: 110° C

Functioning: hot water

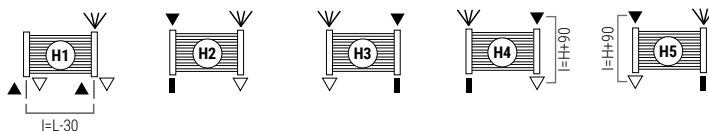
Connections: n° 2 x 1/2" G - 1 x 1/2" G



Quotes for Kristal valves

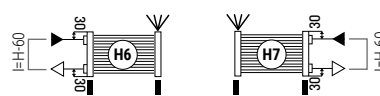


STANDARD CONNECTIONS WITHOUT SURCHARGE



LEGENDA: In Out airvent H Height l pipe centres L width connection welded cap

SPECIAL CONNECTIONS



Always specify the kind of connection needed when ordering.
Bidirectional pipe connection not available

HOW TO ORDER THE RADIATOR KARIN VX TANDEM HORIZONTAL

ARTICLE NR. STRUCTURE	Radiator model	Nr of Elements	Width in cm	Code of the connection	Code of the colour	Constant value
AAAA	BB	CCC	DDD	EEE	AAA	A
EXAMPLE	Radiator model E.g.: Karin VX tandem horizontal	Nr of Elements E.g.: 12 elements	Width in cm Example: 1200 mm	Code of the connection Example: connection H4	Code of the colour Example: S16 - Canary	Constant value
	KT15	12	120	H04	S16	A

EXAMPLE OF ARTICLE CODE CREATION

In the case of a radiator:

KT15 KARIN VX TANDEM HORIZONTAL

12 12 elements

120 width 1200 mm

H04 connection H4

S16 colour S16 - Canary

A (Constant value)

The article code will be:

KT15 12 120 H04 S16 A

ACCESSORIES

If ordered separately from the radiator, the accessories are available in standard white only

Kristal valve square with thermostatic option white R01

Copper conn. ϕ 12/14/15
Art. nr. 5991990311161

Multilayer conn. ϕ 16
Art. nr. 5991990311160

Kristal valve corner right with thermostatic option white R01

Copper conn. ϕ 12/14/15
Art. nr. 5991990311176

Multilayer conn. ϕ 16
Art. nr. 5991990311175

Pair of white tube cover kit

Art. nr. 5103000000060

Art. nr. are referred to colour WHITE R01



KARIN VX TANDEM HORIZONTAL

Width L [mm]		500	600	800	1000	1200	1400	1500	1600	1700	OUTPUT PER LINEAR METER		Exp. n
Height H [mm]	N° El.	Watt $\Delta t=50^{\circ}\text{C}$	Watt $\Delta t=50^{\circ}\text{C}$	Watt $\Delta t=50^{\circ}\text{C}$	Watt $\Delta t=50^{\circ}\text{C}$	Watt $\Delta t=50^{\circ}\text{C}$	Watt $\Delta t=50^{\circ}\text{C}$	Watt $\Delta t=50^{\circ}\text{C}$	Watt $\Delta t=50^{\circ}\text{C}$	Watt $\Delta t=50^{\circ}\text{C}$	Watt $\Delta t=30^{\circ}\text{C}$		
200	8	294	353	471	589	707	824	883	942	1001	317	1,2131	
250	10	347	416	555	694	833	972	1041	1110	1180	374	1,2112	
300	12	395	473	631	789	947	1105	1184	1262	1341	425	1,2093	
350	14	438	525	700	875	1050	1225	1313	1400	1488	479	1,1803	
400	16	477	572	762	953	1144	1334	1430	1525	1620	519	1,1887	
450	18	512	614	819	1024	1229	1433	1536	1638	1741	556	1,1970	
500	20	544	653	870	1088	1306	1523	1632	1741	1850	588	1,2054	
550	22	573	688	917	1146	1375	1604	1719	1833	1948	618	1,2081	
600	24	599	719	959	1198	1438	1677	1797	1917	2037	646	1,2109	
650	26	623	747	996	1245	1494	1743	1868	1992	2117	670	1,2137	
700	28	644	772	1030	1287	1544	1802	1931	2059	2188	711	1,1624	
750	30	663	795	1060	1325	1590	1855	1988	2120	2253	735	1,1543	
800	32	679	815	1086	1358	1630	1901	2037	2173	2309	756	1,1462	
850	34	694	832	1110	1387	1664	1942	2081	2219	2358	776	1,1380	
900	36	707	848	1130	1413	1696	1978	2120	2261	2402	794	1,1299	
950	38	718	861	1148	1435	1722	2009	2153	2296		810	1,1218	
1000	40	728	873	1164	1455	1746	2037	2183			803	1,1637	
1050	42	736	883	1177	1471	1765	2059	2207			815	1,1556	
1100	44	742	890	1187	1484	1781	2078				821	1,1597	
1150	46	749	899	1198	1498	1797					836	1,1393	
1200	48	755	906	1208	1510	1812					844	1,1312	
1250	50	761	913	1217	1522	1826					858	1,1231	
1300	52	766	920	1226	1533	1839					867	1,1149	
1350	54	772	926	1235	1544						877	1,1068	
1400	56	778	933	1245	1556						888	1,0987	
1450	58	784	941	1255	1568						898	1,0906	
1500	60	791	949	1266	1582						910	1,0824	
1550	62	799	958	1278	1597						923	1,0743	
1600	64	807	969	1292	1615						937	1,0662	
1650	66	817	981	1308	1635						952	1,0581	
1700	68	829	995	1326	1658						970	1,0499	
1750	70	842	1010	1347	1684						989	1,0418	
1800	72	857	1028	1371	1713						1010	1,0337	

All intermediate sizes are available for widths from 8 to 72 elements and heights from 500 to 2500 mm

Width L [mm]		1800	1900	2000	2200	2300	2500	OUTPUT PER LINEAR METER		Exp. n
Height H [mm]	N° El.	Watt $\Delta t=50^{\circ}\text{C}$	Watt $\Delta t=50^{\circ}\text{C}$	Watt $\Delta t=50^{\circ}\text{C}$	Watt $\Delta t=50^{\circ}\text{C}$	Watt $\Delta t=50^{\circ}\text{C}$	Watt $\Delta t=50^{\circ}\text{C}$	Watt $\Delta t=30^{\circ}\text{C}$		
200	8	1060	1119	1178	1296	1354	1472	317	1,2131	
250	10	1249	1319	1388	1527	1596	1735	374	1,2112	
300	12	1420	1499	1578	1736	1815	1973	425	1,2093	
350	14	1575	1663	1750	1925	2013	2188	479	1,1803	
400	16	1716	1811	1906	2097	2192	2383	519	1,1887	
450	18	1843	1945	2048	2253	2355	2560	556	1,1970	
500	20	1958	2067	2176	2394	2502	2720	588	1,2054	
550	22	2063	2177	2292	2521	2636	2865	618	1,2081	
600	24	2157	2277	2396	2636	2756	2996	646	1,2109	
650	26	2242	2366	2491	2740	2864		670	1,2137	
700	28	2317	2445	2574	2831			711	1,1624	
750	30	2385	2518	2650				735	1,1543	
800	32	2444	2580					756	1,1462	
850	34	2497						776	1,1380	

ARDESIA®

TOWEL RAILS

ELECTRIC

STAINLESS STEEL

RADIATORS

VENTILATION RADIATORS

MYWAY® ACCESSORIES AND TECHNICAL SUPPORT