



KARIN VX TANDEM VERTICAL



EUROPEAN WARRANTY

MATERIAL:

- Horizontal collectors in painted mild steel ϕ 30 mm.
- Double row of rectangular vertical heating elements in painted mild steel 15x20 mm.

FIXING KIT:

Brackets, airvent, hexagonal tool, plugs and screws for mounting suitable for use on compact or hollow brick, user notice.

PACKAGING:

Carton angular and profiles protected by a recyclable film in polyethylene. User notice included.

PAINTING PROCESS:

Painted with ecological epoxy powders (Certificate DIN 55900-1,-2).

COLOURS:

See colour chart.

ACCESSORIES:

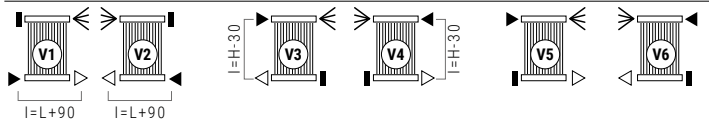
For the complete list, please refer to the accessories chapter.

Height H [mm]	500	530	600	630	800	830	930	1000	1200
Therm. output per el. $\Delta t = 50^\circ\text{C}$ [Watt]	32,7	34,8	38,3	40,4	49,0	50,6	56,1	59,1	68,7
Therm. output per el. $\Delta t = 30^\circ\text{C}$ [Watt]	16,8	17,7	19,7	20,5	25,0	25,8	28,4	30,1	34,9
Dry Weight per section [kg]	0,607	0,646	0,725	0,758	0,949	0,982	1,094	1,173	1,397
Element water content [lt]	0,249	0,264	0,295	0,308	0,383	0,397	0,441	0,472	0,561
Element surface [m ²]	0,074	0,079	0,089	0,093	0,117	0,121	0,135	0,145	0,173
Exp. n	1,2990	1,3396	1,3047	1,3373	1,3161	1,3520	1,3304	1,3209	1,3258
Pipe centres l [mm] (V3-V4 only)	470	500	570	600	770	800	900	970	1170

For output at different ΔT , please refer to the following formula: desired output = output at $\Delta T 50 \times (\text{desired } \Delta T / 50)^n$

Height H [mm]	1400	1600	1700	1800	1900	2000	2200	2300	2500
Therm. output per el. $\Delta t = 50^\circ\text{C}$ [Watt]	77,7	86,3	90,5	94,5	98,4	102,3	109,6	113,2	120,0
Therm. output per el. $\Delta t = 30^\circ\text{C}$ [Watt]	39,4	43,6	45,7	47,7	49,6	51,6	55,3	57,1	60,6
Dry Weight per section [kg]	1,621	1,845	1,957	2,069	2,181	2,293	2,517	2,629	2,853
Element water content [lt]	0,650	0,738	0,782	0,827	0,871	0,916	1,004	1,049	1,137
Element surface [m ²]	0,201	0,229	0,243	0,257	0,271	0,285	0,313	0,327	0,355
Exp. n	1,3307	1,3355	1,3380	1,3404	1,3399	1,3395	1,3385	1,3380	1,3371
Pipe centres l [mm] (V3-V4 only)	1370	1570	1670	1770	1870	1970	2170	2270	2470

STANDARD CONNECTIONS WITHOUT SURCHARGE



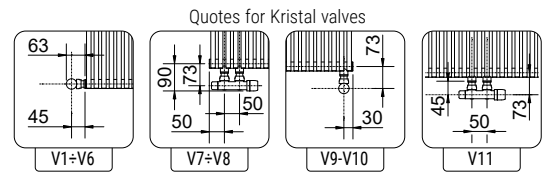
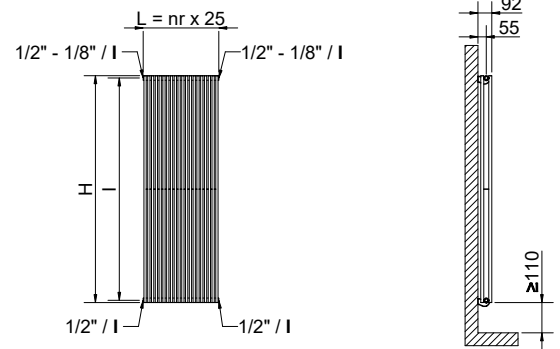
LEGENDA: \blacktriangleright In \triangleright Out \triangleleft airvent H Height l pipe centres L width \square connection \blacksquare welded cap

P. max: 8 bar

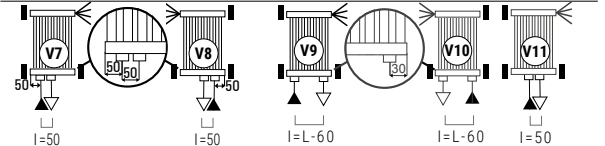
T. max: 110° C

Functioning: hot water

Connections: n° 2 x 1/2" G - n° 1 da 1/8" G



SPECIAL CONNECTIONS



Always specify the kind of connection needed when ordering.
Bidirectional pipe connection not available

HOW TO ORDER THE RADIATOR KARIN VX TANDEM VERTICAL

ARTICLE NR. STRUCTURE	Radiator model	Nr of Elements	Height in cm	Code of the connection	Code of the colour	Constant value
AAAA	BB	CCC	DDD	EEE	A	

EXAMPLE	Radiator model E.g.: Karin VX tandem vertical	Nr of Elements E.g.: 24 elements	Height in cm Example: 1900 mm	Code of the connection Example: connection V8	Code of the colour Example: S16 - Canary	Constant value
KT15		24	190	V08	S16	A

EXAMPLE OF ARTICLE CODE CREATION

In the case of a radiator:

KT15 ...KARIN VX TANDEM VERTICAL

24 ... 24 elements

190 ... Height 1900 mm

V08 ...connection V8

S16 ...colour S16 - Canary

A ... (Constant value)

The article code will be:

KT15 24 190 V08 S16 A

ACCESSORIES

If ordered separately from the radiator, the accessories are available in standard white only

Kristal valve square with thermostatic option white R01

Copper conn. ϕ 12/14/15
Art. nr. 5991990311161

Multilayer conn. ϕ 16
Art. nr. 5991990311160

Kristal valve square pipe centres 50 mm right white R01

Copper conn. ϕ 12/14/15
Art. nr. 5991990311186

Multilayer conn. ϕ 16
Art. nr. 5991990311185

Thermostatic head white

(Kit 2 pieces)
Art. nr. 5035270710016

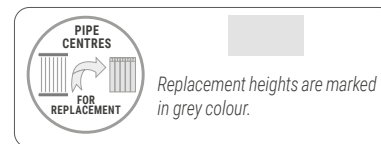
Art. nr. are referred to colour WHITE R01



KARIN VX TANDEM VERTICAL

Height H [mm]		500	530	600	630	800	830	930	1000	1200
Width L [mm]	N° El.	Watt $\Delta t=50^{\circ}\text{C}$	Watt $\Delta t=50^{\circ}\text{C}$	Watt $\Delta t=50^{\circ}\text{C}$	Watt $\Delta t=50^{\circ}\text{C}$	Watt $\Delta t=50^{\circ}\text{C}$	Watt $\Delta t=50^{\circ}\text{C}$	Watt $\Delta t=50^{\circ}\text{C}$	Watt $\Delta t=50^{\circ}\text{C}$	Watt $\Delta t=50^{\circ}\text{C}$
200	8	262	275	306	320	392	405	445	473	550
250	10	327	344	383	400	490	506	557	591	687
300	12	392	413	460	479	588	607	668	709	824
350	14	458	481	536	559	686	708	779	827	962
400	16	523	550	613	639	784	809	890	946	1099
450	18	589	619	689	719	882	910	1002	1064	1237
500	20	654	688	766	799	980	1012	1113	1182	1374
550	22	719	757	843	879	1078	1113	1224	1300	1511
600	24	785	825	919	959	1176	1214	1336	1418	1649
650	26	850	894	996	1039	1274	1315	1447	1537	1786
700	28	916	963	1072	1119	1372	1416	1558	1655	1924
750	30	981	1032	1149	1199	1470	1517	1670	1773	2061
800	32	1046	1100	1226	1279	1568	1618	1781	1891	2198
850	34	1112	1169	1302	1359	1666	1720	1892	2009	2336
900	36	1177	1238	1379	1438	1764	1821	2004	2128	2473
950	38	1243	1307	1455	1518	1862	1922	2115	2246	2611
1000	40	1308	1376	1532	1598	1960	2023	2226	2364	2748
1050	42	1373	1444	1609	1678	2058	2124	2337	2482	2885
1100	44	1439	1513	1685	1758	2156	2225	2449	2600	3023
1150	46	1504	1582	1762	1838	2254	2326	2560	2719	3160
1200	48	1570	1651	1838	1918	2352	2428	2671	2837	3298
1250	50	1635	1719	1915	1998	2450	2529	2783	2955	3435
1300	52	1700	1788	1992	2078	2548	2630	2894	3073	3572
1350	54	1766	1857	2068	2158	2646	2731	3005	3191	
1400	56	1831	1926	2145	2238	2744	2832	3117	3310	
1450	58	1897	1995	2221	2317	2842	2933	3228	3428	
1500	60	1962	2063	2298	2397	2940	3035	3339	3546	
1550	62	2027	2132	2375	2477	3038	3136	3451	3664	
1600	64	2093	2201	2451	2557	3136	3237	3562	3782	
1650	66	2158	2270	2528	2637	3234	3338	3673	3901	
1700	68	2224	2338	2604	2717	3332	3439	3784	4019	
1750	70	2289	2407	2681	2797	3430	3540	3896	4137	
1800	72	2354	2476	2758	2877	3528	3641	4007	4255	

All intermediate sizes are available for widths from 8 to 72 elements and heights from 500 to 2500 mm



Height H [mm]		1400	1600	1700	1800	1900	2000	2200	2300	2500
Width L [mm]	N° El.	Watt $\Delta t=50^{\circ}\text{C}$	Watt $\Delta t=50^{\circ}\text{C}$	Watt $\Delta t=50^{\circ}\text{C}$	Watt $\Delta t=50^{\circ}\text{C}$	Watt $\Delta t=50^{\circ}\text{C}$	Watt $\Delta t=50^{\circ}\text{C}$	Watt $\Delta t=50^{\circ}\text{C}$	Watt $\Delta t=50^{\circ}\text{C}$	Watt $\Delta t=50^{\circ}\text{C}$
200	8	622	690	724	756	787	818	877	906	960
250	10	777	863	905	945	984	1023	1096	1132	1200
300	12	932	1036	1086	1134	1181	1228	1315	1358	1440
350	14	1088	1208	1267	1323	1378	1432	1534	1585	1680
400	16	1243	1381	1448	1512	1574	1637	1754	1811	1920
450	18	1399	1553	1629	1701	1771	1841	1973	2038	2160
500	20	1554	1726	1810	1890	1968	2046	2192	2264	2400
550	22	1709	1899	1991	2079	2165	2251	2411	2490	2640
600	24	1865	2071	2172	2268	2362	2455	2630	2717	2880
650	26	2020	2244	2353	2457	2558	2660	2850	2943	
700	28	2176	2416	2534	2646	2755	2864	3096		
750	30	2331	2589	2715	2835	2952	3069			
800	32	2486	2762	2896	3024	3149				
850	34	2642	2934	3077	3213					
900	36	2797	3107	3258						
950	38	2953	3279							
1000	40	3108								
1050	42	3263								
1100	44	3419								

ARDESIA®

TOWEL RAILS

ELECTRIC

STAINLESS STEEL

RADIATORS

VENTILATION RADIATORS

MYWAY® ACCESSORIES AND TECHNICAL SUPPORT