



ROSY TANDEM VERTICAL



EUROPEAN WARRANTY

MATERIAL:

- Horizontal collectors in painted mild steel ø 38 mm.
- Double vertical heating elements in painted mild steel 50x10 mm.

FIXING KIT:

Brackets, airvent, hexagonal tool, plugs and screws for mounting suitable for use on compact or hollow brick, user notice.

PACKAGING:

Carton angular and profiles protected by a recyclable film in polyethylene. User notice included.

PAINTING PROCESS:

Painted with ecological epoxy powders (Certificate DIN 55900-1,-2).

COLOURS:

See colour chart.

ACCESSORIES:

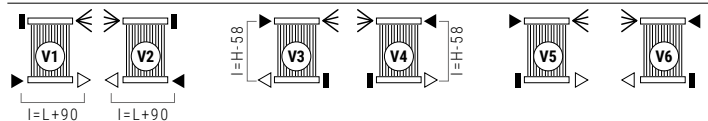
For the complete list, please refer to the accessories chapter.

Height H [mm]	500	558	600	658	700	800	858	958	1000
Therm. output per el. Δt = 50 °C [Watt]	54,8	60,3	64,2	69,5	73,3	82,3	87,4	96,1	99,7
Therm. output per el. Δt = 30 °C [Watt]	27,6	30,4	32,3	35,0	36,9	41,5	44,0	48,4	50,3
Dry Weight per section [kg]	1,208	1,334	1,425	1,551	1,642	1,860	1,986	2,203	2,294
Element water content [lt]	0,473	0,515	0,545	0,587	0,618	0,690	0,732	0,805	0,835
Element surface [m ²]	0,133	0,147	0,157	0,171	0,181	0,205	0,219	0,243	0,253
Exp. n	1,3426	1,3425	1,3423	1,3422	1,3420	1,3417	1,3415	1,3412	1,3411
Pipe centres l [mm] (V3-V4 only)	442	500	542	600	642	742	800	900	942

For output at different ΔT, please refer to the following formula: desired output = output at ΔT 50 x (desired ΔT/50)ⁿ

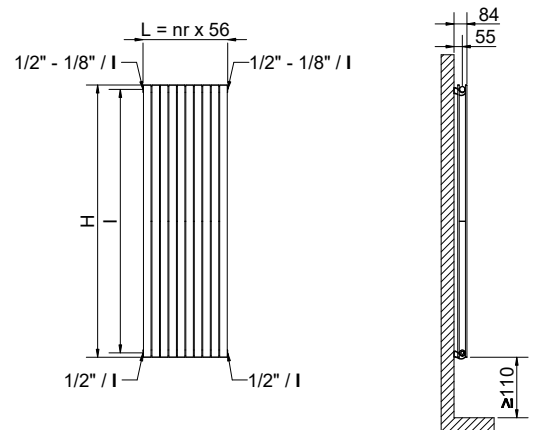
Height H [mm]	1200	1400	1600	1800	1900	2000	2200	2300	2500
Therm. output per el. Δt = 50 °C [Watt]	117	133	149	165	173	180	195	203	218
Therm. output per el. Δt = 30 °C [Watt]	59,0	67,1	75,2	83,3	87,3	90,9	98,5	102,5	110,1
Dry Weight per section [kg]	2,728	3,163	3,597	4,032	4,249	4,466	4,900	5,118	5,552
Element water content [lt]	0,980	1,125	1,269	1,414	1,487	1,559	1,704	1,776	1,921
Element surface [m ²]	0,301	0,349	0,397	0,445	0,469	0,493	0,541	0,565	0,613
Exp. n	1,3405	1,3399	1,3393	1,3387	1,3384	1,3381	1,3375	1,3372	1,3366
Pipe centres l [mm] (V3-V4 only)	1142	1342	1542	1742	1842	1942	2142	2242	2442

STANDARD CONNECTIONS WITHOUT SURCHARGE

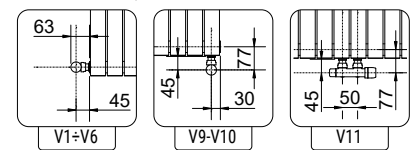


LEGENDA: ► In ▷ Out ◀ airvent H Height l pipe centres L width

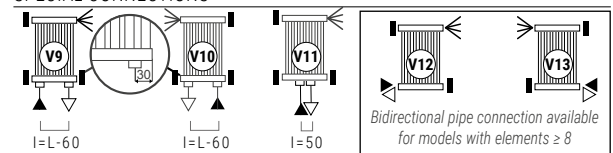
P. Max: 5 bar T. Max: 110° C
Functioning: hot water Connections: n° 2 x 1/2" G - n° 1 da 1/8" G



Quotes for Kristal valves



SPECIAL CONNECTIONS



□ connection ■ welded cap

Always specify the kind of connection needed when ordering.

HOW TO ORDER THE RADIATOR ROSY TANDEM VERTICAL

ARTICLE NR. STRUCTURE	Radiator model	Nr of Elements	Height in cm	Code of the connection	Code of the colour	Constant value
AAAA	BB	CCC	DDD	EEE		A

EXAMPLE	Radiator model E.g.: Rosy tandem vert.	Nr of Elements E.g.: 12 elements	Height in cm Example: 1500 mm	Code of the connection Example: connection V1	Code of the colour Example: R01 - White	Constant value
RT50	12	150	V01	R01	A	

EXAMPLE OF ARTICLE CODE CREATION
In the case of a radiator:
RT50 ROSY TANDEM VERTICAL
12 12 elements
150 Height 1500 mm
V01 connection V1
R01 colour R01 - White
A (Constant value)
 The article code will be:
RT50 12 150 V01 R01 A

ACCESSORIES

If ordered separately from the radiator, the accessories are available in standard white only

<p>Kristal valve square with thermostatic option white R01</p> <p>Copper conn. Ø 12/14/15 Art. nr. 5991990311161</p> <p>Multilayer conn. Ø 16 Art. nr. 5991990311160</p>	<p>Kristal valve square pipe centres 50 mm with thermostatic option white R01</p> <p>Copper conn. Ø 12/14/15 Art. nr. 5991990311186</p> <p>Multilayer conn. Ø 16 Art. nr. 5991990311185</p>	<p>Thermostatic head white</p> <p>(Kit 2 pieces) Art. nr. 5035270710016</p>
---	--	--

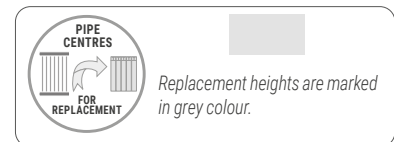
Art. nr. are referred to colour WHITE R01



ROSY TANDEM VERTICAL

Height H [mm]		500	558	600	658	700	800	858	958	1000
448	8	438	482	514	556	586	658	699	769	798
504	9	493	543	578	626	660	741	787	865	897
560	10	548	603	642	695	733	823	874	961	997
616	11	603	663	706	765	806	905	961	1057	1097
672	12	658	724	770	834	880	988	1049	1153	1196
728	13	712	784	835	904	953	1070	1136	1249	1296
784	14	767	844	899	973	1026	1152	1224	1345	1396
840	15	822	904	963	1043	1100	1235	1311	1441	1496
896	16	877	965	1027	1112	1173	1317	1398	1537	1595
952	17	932	1025	1091	1182	1246	1399	1486	1633	1695
1008	18	986	1085	1156	1251	1319	1481	1573	1730	1795

All intermediate sizes are available for widths from 4 to 18 elements and heights from 500 to 2500 mm



Height H [mm]		1200	1400	1600	1800	1900	2000	2200	2300	2500
Width L [mm]	N° El.	Watt $\Delta t=50^{\circ}\text{C}$	Watt $\Delta t=50^{\circ}\text{C}$	Watt $\Delta t=50^{\circ}\text{C}$	Watt $\Delta t=50^{\circ}\text{C}$	Watt $\Delta t=50^{\circ}\text{C}$	Watt $\Delta t=50^{\circ}\text{C}$	Watt $\Delta t=50^{\circ}\text{C}$	Watt $\Delta t=50^{\circ}\text{C}$	Watt $\Delta t=50^{\circ}\text{C}$
224	4	468	532	596	660	692	720	780	812	872
280	5	585	665	745	825	865	900	975	1015	1090
336	6	702	798	894	990	1038	1080	1170	1218	1308
392	7	819	931	1043	1155	1211	1260	1365	1421	1526
448	8	936	1064	1192	1320	1384	1440	1560	1624	1744
504	9	1053	1197	1341	1485	1557	1620	1755	1827	1962
560	10	1170	1330	1490	1650	1730	1800	1950	2030	2180
616	11	1287	1463	1639	1815	1903	1980	2145	2233	2398
672	12	1404	1596	1788	1980	2076	2160	2340	2436	2616
728	13	1521	1729	1937	2145	2249	2340	2535	2639	2834
784	14	1638	1862	2086	2310	2422	2520	2730	2842	3052
840	15	1755	1995	2235	2475	2595	2700	2925	3045	3270
896	16	1872	2128	2384	2640	2768	2880	3120	3248	3488
952	17	1989	2261	2533	2805	2941	3060	3315	3451	3706
1008	18	2106	2394	2682	2970	3114	3240	3510	3654	3924

ARDESIA®

TOWEL RAILS

ELECTRIC

STAINLESS STEEL

RADIATORS

VENTILATION RADIATORS

MYWAY® ACCESSORIES AND TECHNICAL SUPPORT