



TAMARA TANDEM HORIZONTAL



EUROPEAN WARRANTY

NEW

MATERIAL:

- Vertical collectors in painted mild steel ϕ 30 mm.
- Double horizontal heating elements in painted mild steel elliptical 50x25 mm.

FIXING KIT:

Brackets, airvent, hexagonal tool, plugs and screws for mounting suitable for use on compact or hollow brick, user notice.

PACKAGING:

Carton angular and profiles protected by a recyclable film in polyethylene. User notice included.

PAINTING PROCESS:

Painted with ecological epoxy powders (Certificate DIN 55900-1,-2).

COLOURS:

See colour chart.

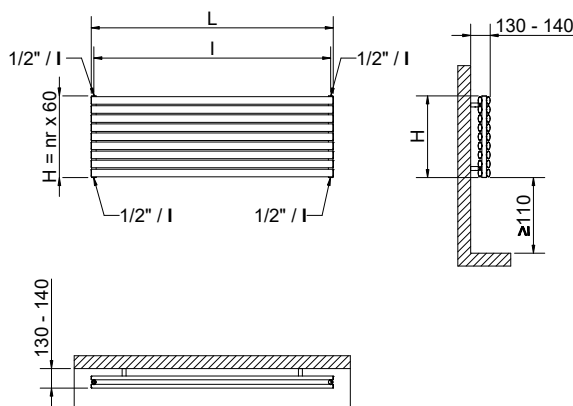
ACCESSORIES:

For the complete list, please refer to the accessories chapter.

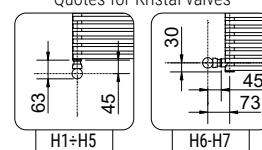
Width L [mm]	600	634	800	1000	1200	1400	1600	1800	1900	2000
Therm. output per el. $\Delta t = 50^\circ\text{C}$ [Watt]	63,1	66,7	84,0	104,8	127,7	146,5	167,5	188,5	199	209,6
Therm. output per el. $\Delta t = 30^\circ\text{C}$ [Watt]	34,3	36,8	46,1	58,0	69,6	81,3	93,0	104,7	109,8	116,3
Dry Weight per section [kg]	1,528	1,614	1,972	2,415	2,858	3,302	3,745	4,188	4,202	4,419
Element water content [lt]	1,195	1,255	1,587	1,980	2,373	2,765	3,158	3,551	3,747	3,943
Element surface [m ²]	0,156	0,158	0,203	0,250	0,297	0,344	0,391	0,438	0,475	0,485
Exp. n	1,1929	1,1729	1,1749	1,1568	1,1550	1,1532	1,1514	1,1516	1,1517	1,1518
Pipe centres l [mm] (H1 only)	566	600	766	966	1166	1366	1566	1766	1866	1966

For output at different Δt , please refer to the following formula: desired output = output at $\Delta t 50^\circ\text{C}$ x (desired $\Delta t/50$)ⁿ

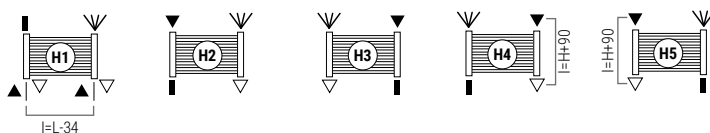
P. Max: 5 bar T. Max: 110° C
 Functioning: hot water Connections: n° 2 x 1/2" G - n° 1 x 1/2" G



Quotes for Kristal valves

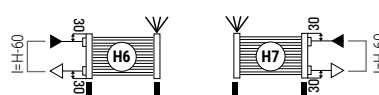


STANDARD CONNECTIONS WITHOUT SURCHARGE



LEGENDA: In Out airvent H Height l pipe centres L width connection welded cap

SPECIAL CONNECTIONS



Always specify the kind of connection needed when ordering.
 Bidirectional pipe connection not available

HOW TO ORDER THE RADIATOR TAMARA TANDEM HORIZONTAL

ARTICLE NR. STRUCTURE	Radiator model	Nr of Elements	Width in cm	Code of the connection	Code of the colour	Constant value
AAAA	BB	CCC	DDD	EEE	AAA	A

EXAMPLE	Radiator model E.g.: Tamara tandem horizontal	Nr of Elements E.g.: 12 elements	Width in mm Example: 1200 mm	Code of the connection Example: connection H4	Code of the colour Example: S16 - Canary	Constant value
TT50	12	120	H04	S16	A	

EXAMPLE OF ARTICLE CODE CREATION
 In the case of a radiator:
TT50 TAMARA TANDEM HORIZONTAL
12 12 elements
120 width 1200 mm
H04 connection H4
S16 colour S16 - Canary
A (Constant value)
 The article code will be:
TT50 12 120 H04 S16 A

ACCESSORIES

If ordered separately from the radiator, the accessories are available in standard white only

<p>Kristal valve square with thermostatic option white R01 Copper conn. ϕ 12/14/15 Art. nr. 5991990311161 Multilayer conn. ϕ 16 Art. nr. 5991990311160</p>	<p>Kristal valve corner right with thermostatic option white R01 Copper conn. ϕ 12/14/15 Art. nr. 5991990311176 Multilayer conn. ϕ 16 Art. nr. 5991990311175</p>	<p>Thermostatic head white (Kit 2 pieces) Art. nr. 5035270710016</p>
---	---	---

Art. nr. are referred to colour WHITE R01



TAMARA TANDEM HORIZONTAL

Width L [mm]		600	634	800	1000	1200	1400	1600	1800	1900	2000
Height H [mm]	N° El.	Watt $\Delta t=50^{\circ}\text{C}$	Watt $\Delta t=50^{\circ}\text{C}$	Watt $\Delta t=50^{\circ}\text{C}$	Watt $\Delta t=50^{\circ}\text{C}$	Watt $\Delta t=50^{\circ}\text{C}$	Watt $\Delta t=50^{\circ}\text{C}$	Watt $\Delta t=50^{\circ}\text{C}$	Watt $\Delta t=50^{\circ}\text{C}$	Watt $\Delta t=50^{\circ}\text{C}$	Watt $\Delta t=50^{\circ}\text{C}$
300	5	316	334	420	524	639	733	838	943	995	1048
360	6	379	400	504	629	766	879	1005	1131	1194	1258
420	7	442	467	588	734	894	1026	1173	1320	1393	1467
480	8	505	534	672	838	1022	1172	1340	1508	1592	1677
540	9	568	600	756	943	1149	1319	1508	1697	1791	1886
600	10	631	667	840	1048	1277	1465	1675	1885	1990	2096
660	11	694	734	924	1153	1405	1612	1843	2074	2189	2306
720	12	757	800	1008	1258	1532	1758	2010	2262	2388	2515
780	13	820	867	1092	1362	1660	1905	2178	2451	2587	2725
840	14	883	934	1176	1467	1788	2051	2345	2639	2786	2934
900	15	947	1001	1260	1572	1916	2198	2513	2828	2985	3144
960	16	1010	1067	1344	1677	2043	2344	2680	3016	3184	3354
1020	17	1073	1134	1428	1782	2171	2491	2848	3205	3383	3563
1080	18	1136	1201	1512	1886	2299	2637	3015	3393	3582	3773
1140	19	1199	1267	1596	1991	2426	2784	3183	3582		
1200	20	1262	1334	1680	2096	2554	2930	3350			
1260	21	1325	1401	1764	2201	2682	3077	3518			
1320	22	1388	1467	1848	2306	2809	3223	3685			
1380	23	1451	1534	1932	2410	2937	3370				
1440	24	1514	1601	2016	2515	3065	3516				
1500	25	1578	1668	2100	2620	3193	3663				
1560	26	1641	1734	2184	2725	3320					
1620	27	1704	1801	2268	2830	3448					
1680	28	1767	1868	2352	2934	3576					
1740	29	1830	1934	2436	3039	3703					
1800	30	1893	2001	2520	3144						

Art. nr. are referred to colour WHITE R01 and STANDARD connection

NEW RANGE

ARDESIA®

TOWEL RAILS

ELECTRIC

STAINLESS STEEL

RADIATORS

VENTILATION RADIATORS

MYWAY® ACCESSORIES AND TECHNICAL SUPPORT