



TAMARA TANDEM VERTICAL



**EUROPEAN
WARRANTY**

NEW

MATERIAL:

- Horizontal collectors in painted mild steel ø 30 mm.
- Double vertical heating elements in painted mild steel elliptical 50x25 mm.

FIXING KIT:

Brackets, airvent, hexagonal tool, plugs and screws for mounting suitable for use on compact or hollow brick, user notice.

PACKAGING:

Carton angular and profiles protected by a recyclable film in polyethylene. User notice included.

PAINTING PROCESS:

Painted with ecological epoxy powders (Certificate DIN 55900-1,-2).

COLOURS:

See colour chart.

ACCESSORIES:

For the complete list, please refer to the accessories chapter.

P. Max: 5 bar

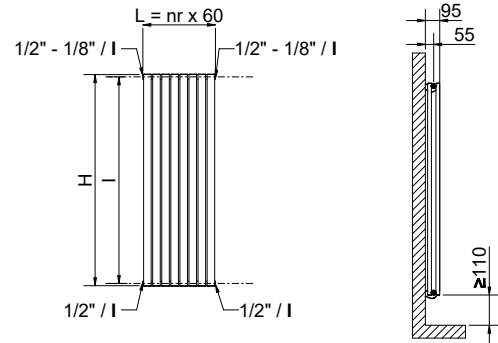
T. Max: 110° C

Functioning: hot water

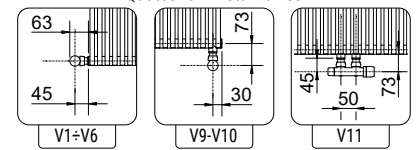
Connections: n° 2 x 1/2" G - n° 1 da 1/8" G

Height H [mm]	600	634	800	1000	1200	1400	1600	1800	1900	2000
Therm. output per el. Δt = 50 °C [Watt]	69,7	73,2	90,1	110,1	129,8	149,3	168,7	188	197,7	207,3
Therm. output per el. Δt = 30 °C [Watt]	36,2	37,8	46,7	56,9	66,9	76,7	86,4	96,6	101,6	106,7
Dry Weight per section [kg]	1,528	1,614	1,972	2,415	2,858	3,302	3,745	4,188	4,202	4,419
Element water content [lt]	1,195	1,255	1,587	1,980	2,373	2,765	3,158	3,551	3,747	3,943
Element surface [m²]	0,156	0,158	0,203	0,250	0,297	0,344	0,391	0,438	0,475	0,485
Exp. n	1,2831	1,2843	1,2883	1,2935	1,2987	1,3038	1,3089	1,3042	1,3034	1,2994
Pipe centres l [mm] (V3-V4 only)	566	600	766	966	1166	1366	1566	1766	1866	1966

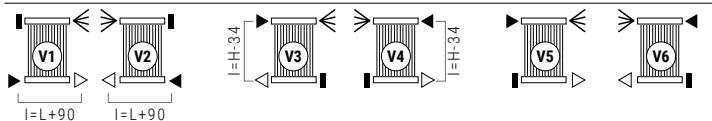
For output at different ΔT, please refer to the following formula: desired output = output at ΔT 50 x (desired Δt/50)ⁿ



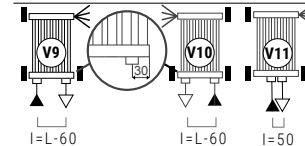
Quotes for Kristal valves



STANDARD CONNECTIONS WITHOUT SURCHARGE



SPECIAL CONNECTIONS



LEGENDA: ► In ▷ Out ◀ airvent H Height l pipe centres L width □ connection ■ welded cap

Always specify the kind of connection needed when ordering.
Bidirectional pipe connection not available

HOW TO ORDER THE RADIATOR TAMARA TANDEM VERTICAL

ARTICLE NR. STRUCTURE	Radiator model	Nr of Elements	Height in cm	Code of the connection	Code of the colour	Constant value
AAAA	BB	CCC	DDD	EEE	A	

EXAMPLE	Radiator model E.g.: Tamara tandem vertical	Nr of Elements E.g.: 12 elements	Height in cm Example: 1800 mm	Code of the connection Example: connection V1	Code of the colour Example: S16 - Canary	Constant value
TT50	12	180	V01	S16	A	

EXAMPLE OF ARTICLE CODE CREATION
In the case of a radiator:
TT50 TAMARA TANDEM VERTICAL
12 12 elements
180 Height 1800 mm
V01 connection V1
S16 colour S16 - Canary
A (Constant value)
 The article code will be:
TT50 12 180 V01 S16 A

ACCESSORIES

If ordered separately from the radiator, the accessories are available in standard white only

<p>Kristal valve square with thermostatic option white R01</p> <p>Copper conn. Ø 12/14/15 Art. nr. 5991990311161</p> <p>Multilayer conn. Ø 16 Art. nr. 5991990311160</p>	<p>Kristal valve square pipe centres 50 mm right white R01</p> <p>Copper conn. Ø 12/14/15 Art. nr. 5991990311186</p> <p>Multilayer conn. Ø 16 Art. nr. 5991990311185</p>	<p>Thermostatic head white</p> <p>(Kit 2 pieces)</p> <p>Art. nr. 5035270710016</p>
---	---	---

Art. nr. are referred to colour WHITE R01



TAMARA TANDEM VERTICAL

Height H [mm]		600	634	800	1000	1200	1400	1600	1800	1900	2000
Width L [mm]	N° El.	Watt $\Delta t=50^{\circ}\text{C}$	Watt $\Delta t=50^{\circ}\text{C}$	Watt $\Delta t=50^{\circ}\text{C}$	Watt $\Delta t=50^{\circ}\text{C}$	Watt $\Delta t=50^{\circ}\text{C}$	Watt $\Delta t=50^{\circ}\text{C}$	Watt $\Delta t=50^{\circ}\text{C}$	Watt $\Delta t=50^{\circ}\text{C}$	Watt $\Delta t=50^{\circ}\text{C}$	Watt $\Delta t=50^{\circ}\text{C}$
300	5	349	366	451	551	649	747	844	940	989	1037
360	6	418	439	541	661	779	896	1012	1128	1186	1244
420	7	488	512	631	771	909	1045	1181	1316	1384	1451
480	8	558	586	721	881	1038	1194	1350	1504	1582	1658
540	9	627	659	811	991	1168	1344	1518	1692	1779	1866
600	10	697	732	901	1101	1298	1493	1687	1880	1977	2073
660	11	767	805	991	1211	1428	1642	1856	2068	2175	2280
720	12	836	878	1081	1321	1558	1792	2024	2256	2372	2488
780	13	906	952	1171	1431	1687	1941	2193	2444	2570	2695
840	14	976	1025	1261	1541	1817	2090	2362	2632	2768	2902
900	15	1046	1098	1352	1652	1947	2240	2531	2820	2966	3110
960	16	1115	1171	1442	1762	2077	2389	2699	3008	3163	3317
1020	17	1185	1244	1532	1872	2207	2538	2868	3196	3361	3524
1080	18	1255	1318	1622	1982	2336	2687	3037	3384	3559	3731
1140	19	1324	1391	1712	2092	2466	2837	3205	3572		
1200	20	1394	1464	1802	2202	2596	2986	3374			
1260	21	1464	1537	1892	2312	2726	3135	3543			
1320	22	1533	1610	1982	2422	2856	3285	3711			
1380	23	1603	1684	2072	2532	2985	3434				
1440	24	1673	1757	2162	2642	3115	3583				
1500	25	1743	1830	2253	2753	3245	3733				
1560	26	1812	1903	2343	2863	3375					
1620	27	1882	1976	2433	2973	3505					
1680	28	1952	2050	2523	3083	3634					
1740	29	2021	2123	2613	3193	3764					
1800	30	2091	2196	2703	3303						

Art. nr. are referred to colour WHITE R01 and STANDARD connection

NEW RANGE

ARDESIA®

TOWEL RAILS

ELECTRIC

STAINLESS STEEL

RADIATORS

VENTILATION RADIATORS

MYWAY® ACCESSORIES AND TECHNICAL SUPPORT