



FRAME®

VERTICAL

5 YEARS WARRANTY

MATERIAL:

Horizontal collector in painted carbon steel with \varnothing of 30 mm
 Heating elements in painted carbon steel
 Heating plate in painted carbon steel

FIXING KIT:

Brackets, airvent, hexagonal tool, plugs and screws for mounting suitable for use on compact or hollow brick, installation notice.
 The fixing kit is compliant with VDI 6036 norm, class 4.

PACKAGING:

The radiator is protected by a film in polyethylene and with a carton box.
 Use and maintenance notice included.

PAINTING PROCESS:

Painted with ecological epoxy. (Certificate DIN 55900-1,-2).
 Thermal outputs certified in accredited laboratories in compliance with European norm EN442.

COLOURS:

Radiators and accessories: standard white R01 colour.
 For other colours see colour chart.

PRODUCT CERTIFICATES



P. max: 5 bar

T. max: 110° C

Available for central heating systems

Connections: n° 2 x G 1/2" - n° 1 G 1/8"

HOW TO ORDER THE VERTICAL FRAME RADIATORS

ARTICLE CODE STRUCTURE

Radiator model	Radiator dimensions	Article code of the connection	Article code of the colour/finish Different colour from standard (R01 - R02) surcharge +30%	Constant value
AAAA	BBB CC	DDD	EEE	B

Example

Radiator model Example: Frame radiator	Radiator dimensions Example: mm 464x1822	Article code of the connection Example: connection V09	Article code of the finish Example: White color R01	Constant value
FRST	464 18	V09	R01	B

EXAMPLE OF ARTICLE CODE CREATION

In case of a FRAME VT 464x1822 mm radiator, with V09 connection.

The article code will be:

FRST 464 18 V09 R01 B

ACCESSORIES



Elegant square manual valve kit painted pure white R01

Copper connection \varnothing 12/14/15
 Art. Nr. 5991990310553

Multilayer connection \varnothing 16 x2
 Art. Nr. 5991990310552



Tinta valve pipe centres 50 mm with thermostatic head - right - with pipe covering kit - pure white R01

Copper connection \varnothing 12/14/15
 Art. Nr. 5991990311243

Multilayer connection \varnothing 16 x2
 Art. Nr. 5991990311242



KIT 3 Towel bars PAINTED for models

L. 352 (L= 404 mm)
 Art. Nr. 5991990310569

L. 464 (L= 516 mm)
 Art. Nr. 5991990310570

L. 576 (L= 628 mm)
 Art. Nr. 5991990310571

L. 688 (L= 740 mm)
 Art. Nr. 5991990310572

LYNEA ACCESSORIES by Marco Pisati



Towel bar left
 L. 274 mm

H30 Green Apple

Art. Nr. 5991990332190



Hook
 L. 180 mm x H. 270 mm

H30 Green Apple

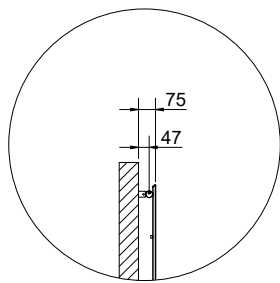
Art. Nr. 5991990310604



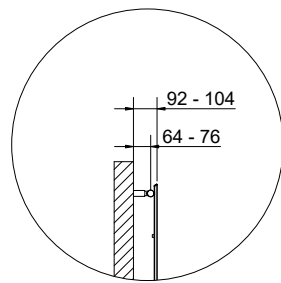
Wood shelf
 L. 286 mm

Oak Moka Textured

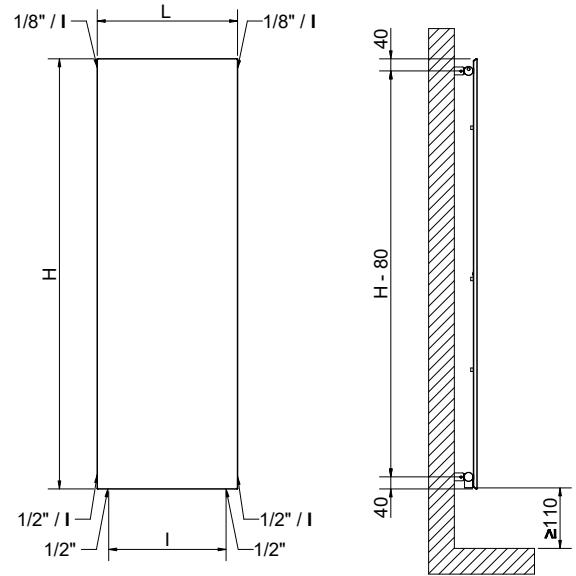
Art. Nr. 5991990500014



V09 - V10 - V11
V12 - V13

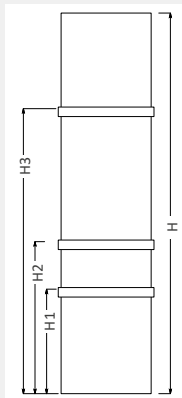


V14

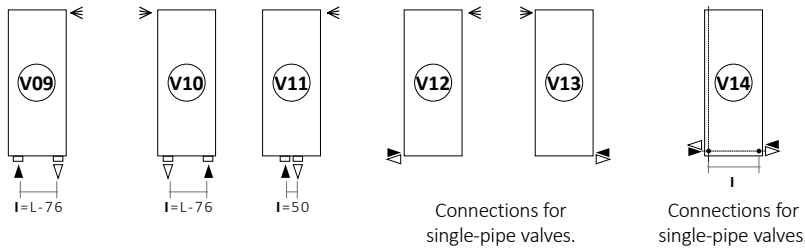


POSITIONING OF
TOWEL BAR (ACCESSORIES)

H	H1	H2	H3
[mm]			
1022	300	500	800
1222	400	600	1000
1422	400	700	1200
1622	500	800	1300
1822	500	800	1400
2022	500	800	1500



Standard connections



Always specify the kind of connection needed when ordering (V09- V10- V11- V12- V13- V14).

Legend =
 ▶ In ▷ Out ◁ Airvent
 | Pipe Centres L Width □ Connection

FRAME VERTICAL

DDD: replace with the type of connection.

Art. Nr.	Height	Width	Pipe Centres (V09- V10)	Pipe Centres (V14)	Dry Weight [Kg]	Surface [m ²]	Water Content [lt]	Thermal output Watt		Exponent n
	H [mm]	L [mm]	I [mm]	I [mm]				Δt = 50°C	Δt = 30°C	
FRST 352 10 DDD R01 B	1022	352	276	168	7,2	0,75	2,64	381	197	1,2894
FRST 464 10 DDD R01 B		464	388	280	9,7	0,98	3,5	499	258	1,2894
FRST 576 10 DDD R01 B		576	500	392	12	1,21	4,4	617	319	1,2894
FRST 688 10 DDD R01 B		688	612	504	14,6	1,44	5,2	735	380	1,2894
FRST 352 12 DDD R01 B	1222	352	276	168	8,6	0,89	3,02	455	236	1,2881
FRST 464 12 DDD R01 B		464	388	280	11,4	1,17	4	596	309	1,2881
FRST 576 12 DDD R01 B		576	500	392	14	1,44	5,1	736	381	1,2881
FRST 688 12 DDD R01 B		688	612	504	17,2	1,72	6,1	877	454	1,2881
FRST 352 14 DDD R01 B	1422	352	276	168	9,9	1,04	3,5	529	274	1,2867
FRST 464 14 DDD R01 B		464	388	280	13,2	1,36	4,6	692	359	1,2867
FRST 576 14 DDD R01 B		576	500	392	16,5	1,68	5,9	856	444	1,2867
FRST 688 14 DDD R01 B		688	612	504	19,8	2,00	7,00	1020	529	1,2867
FRST 352 16 DDD R01 B	1622	352	276	168	11,2	1,16	3,8	595	309	1,2854
FRST 464 16 DDD R01 B		464	388	280	14,9	1,55	5,2	789	409	1,2854
FRST 576 16 DDD R01 B		576	500	392	18,6	1,94	6,8	976	506	1,2854
FRST 352 18 DDD R01 B	1822	352	276	168	12,5	1,33	4,37	676	351	1,2840
FRST 464 18 DDD R01 B		464	388	280	16,6	1,74	5,8	880	457	1,2840
FRST 576 18 DDD R01 B		576	500	392	20,9	2,15	7,2	1100	571	1,2840
FRST 688 18 DDD R01 B		688	612	504	25	2,56	8,7	1304	677	1,2840
FRST 352 20 DDD R01 B	2022	352	276	168	13,5	1,47	4,85	750	390	1,2826
FRST 464 20 DDD R01 B		464	388	280	18,4	1,93	6,4	978	508	1,2826
FRST 576 20 DDD R01 B		576	500	392	23	2,38	8	1222	635	1,2826
FRST 688 20 DDD R01 B		688	612	504	27,6	2,84	9,6	1447	751	1,2826

Art. Nr. are referred to WHITE R01 colour version.

For output at different Δt than 50°C, please refer to the following formula = desired output = output at Δt 50°C x (desired Δt/50)ⁿ