



# FUJIKO

POLISHED STAINLESS STEEL



10 YEARS WARRANTY

## MATERIAL:

Vertical collectors in polished stainless steel with  $\varnothing$  of 30 mm.  
Horizontal heating elements in polished stainless steel 30x10 mm.

## FIXING KIT:

Brackets, airvent, hexagonal tool, plugs and screws for mounting suitable for use on compact or hollow brick, installation notice.  
The fixing kit is compliant with VDI 6036 norm, class 4.

## PACKAGING:

The radiator is protected by a recyclable film in polyethylene and with a carton box. Use and maintenance notice included.

## FEATURES:

It is totally made in stainless steel with an unalterable finishing guaranteed during the years.  
Thermal outputs certified in accredited laboratories in compliance with European norm EN442.

## PRODUCT CERTIFICATES



P. max: 8 bar

T. max: 110° C

Available for central heating systems

Connections: n° 2 x G 1/2" - n° 1 x G 1/2"

## ACCESSORIES



**Elegant reverse manual polished valve kit**

Copper connection  $\varnothing$  12/14/15  
Art. Nr. 5991990301082

Multilayer connection  $\varnothing$  16 x2  
Art. Nr. 5991990301081



**Elegant square manual polished valve kit**

Copper connection  $\varnothing$  12/14/15  
Art. Nr. 5991990301084

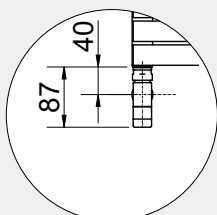
Multilayer connection  $\varnothing$  16 x2  
Art. Nr. 5991990301083



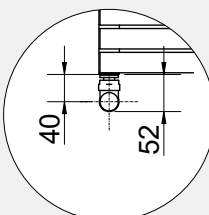
**Elegant corner dx with thermostatic head polished valve kit**

Copper connection  $\varnothing$  12/14/15  
Art. Nr. 5991990301079

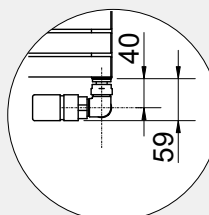
Multilayer connection  $\varnothing$  16 x2  
Art. Nr. 5991990301077



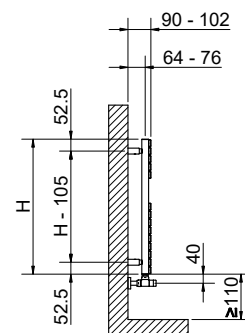
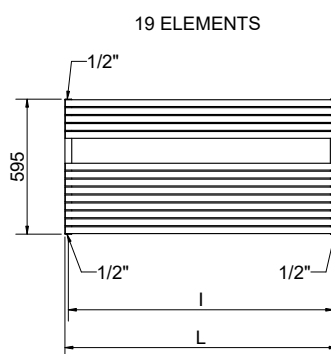
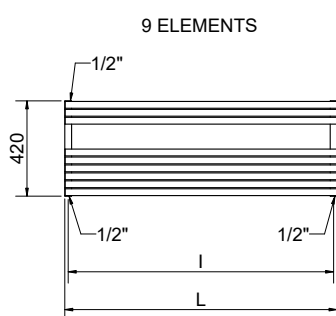
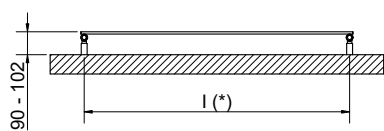
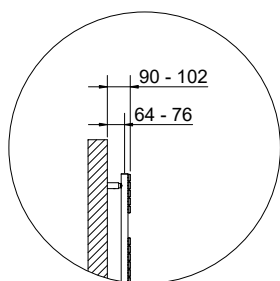
Measures for Elegant reverse manual valve



Measures for valves type Cordivari Elegant Square - Manual



Measures for valves type Cordivari Elegant Corner with thermostatic head



(\*) The fixing kit has the same pipe centre (l) as the radiator

## FUJIKO POLISHED STAINLESS STEEL

Art. Nr.	Height	Width	Pipe Centres	Dry Weight	Surface	Water Content	Thermal output Watt		Exponent n
	H [mm]	L [mm]	l [mm]	[Kg]	[m <sup>2</sup> ]	[lt]	Δt = 50°C	Δt = 30°C	
3551610131001	<b>420</b>	1200	1170	8,5	0,9	2,7	327	176	1,2082
3551610131002		1400	1370	9,8	1	3,1	395	211	1,2275
3551610131003	<b>595</b>	1200	1170	13,1	1,3	4,2	462	255	1,1656
3551610131004		1400	1370	15,1	1,5	4,8	554	302	1,1902

For output at different Δt than 50°C, please refer to the following formula = desired output = output at Δt 50°C x (desired Δt/50)<sup>n</sup>