



LOLA[®] HORIZONTAL

SATIN STAINLESS STEEL

3D
TRADEMARK



10 YEARS WARRANTY

MATERIAL:

Vertical collectors in satin stainless steel with \varnothing of 38 mm.
Curved heating elements in satin stainless steel 30x10 mm.

FIXING KIT:

Brackets, airvent, hexagonal tool, plugs and screws for mounting suitable for use on compact or hollow brick, installation notice.
The fixing kit is compliant with VDI 6036 norm, class 4.

PACKAGING:

The radiator is protected by a recyclable film in polyethylene and with a carton box. Use and maintenance notice included.

FEATURES:

It is totally made in stainless steel with an unalterable finishing guaranteed during the years.
Thermal outputs certified in accredited laboratories in compliance with European norm EN442.

PRODUCT CERTIFICATES



P. max: 8 bar

T. max: 110° C

Available for central heating systems

Connections: n° 2 x G 1/2" - n° 1 x G 1/2"

AWARD

GOLD VILLA
AWARD

ACCESSORIES



Elegant manual square satin valve

Copper connection \varnothing 12/14/15
Art. Nr. 5991990320209

Multilayer connection \varnothing 16 x2
Art. Nr. 5991990320208



Elegant manual reverse satin valve

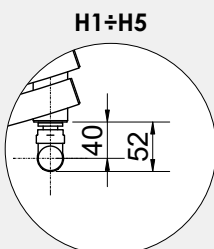
Copper connection \varnothing 12/14/15
Art. Nr. 5991990320207

Multilayer connection \varnothing 16 x2
Art. Nr. 5991990320206



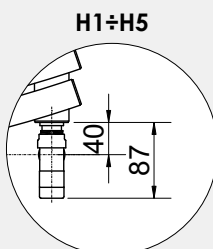
Kit 2 hooks satin stainless steel

Art. Nr. 5991990010224



H1÷H5

Measures for Elegant square manual valve



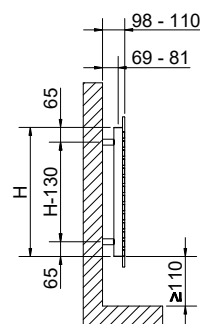
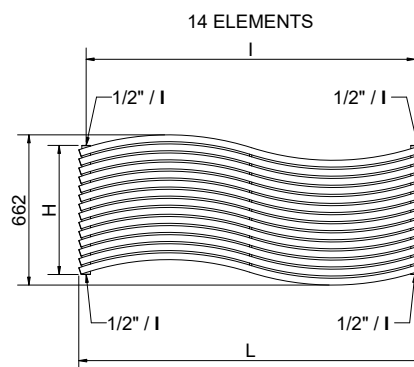
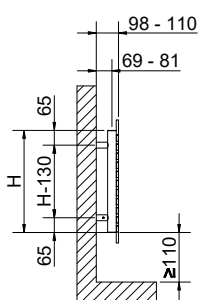
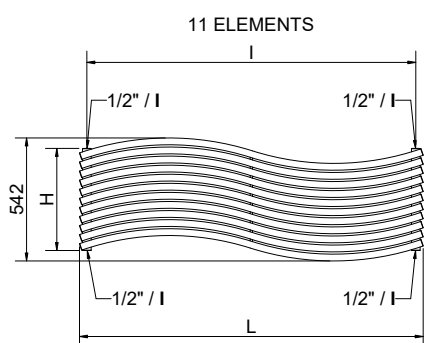
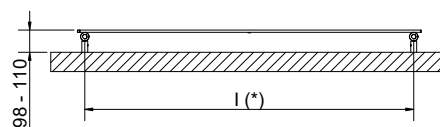
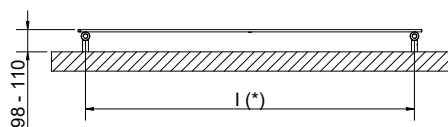
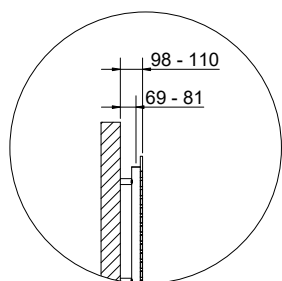
H1÷H5

Measures for Elegant reverse manual valve



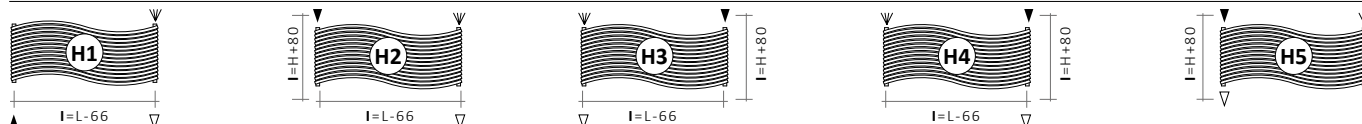
Pipe covering kit for satin valves

Art. Nr. 5103000000045



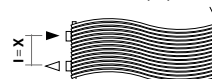
(*) The fixing kit has the same pipe centre (I) as the radiator

Standard connections



Special connection

Indicate the pipe centres X



Always specify the kind of connection needed when ordering (from H1 to H7).

Legend = ► In ▷ Out ◀ Airvent **H** Height **I** Pipe Centres **L** Width □ Connection

LOLA® HORIZONTAL - SATIN STAINLESS STEEL

Art. Nr.	Variant	Height	Width	Pipe Centres	Dry Weight	Surface	Water Content	Thermal output Watt		Exponent n
		H [mm]	L [mm]	I [mm]	[Kg]	[m ²]	[lt]	Δt = 50°C	Δt = 30°C	
3551740000001	H1	450	1516	1450	15,5	1,45	4,1	549	287	1,2712
3551740000013		570	1516	1450	19,0	1,84	5,1	698	363	1,2804
3551740000106	H2	450	1516	-	15,5	1,45	4,1	549	287	1,2712
3551740000064		570	1516	-	19,0	1,84	5,1	698	363	1,2804
3551740000094	H3	450	1516	-	15,5	1,45	4,1	549	287	1,2712
3551740000093		570	1516	-	19,0	1,84	5,1	698	363	1,2804
3551740000027	H4	450	1516	530	15,5	1,45	4,1	549	287	1,2712
3551740000061		570	1516	650	19,0	1,84	5,1	698	363	1,2804
3551740000063	H5	450	1516	530	15,5	1,45	4,1	549	287	1,2712
3551740000070		570	1516	650	19,0	1,84	5,1	698	363	1,2804
3551740000036	H6	450	1516	390	15,5	1,45	4,1	549	287	1,2712
3551740000085		570	1516	510	19,0	1,84	5,1	698	363	1,2804
3551740000067	H7	450	1516	390	15,5	1,45	4,1	549	287	1,2712
3551740000082		570	1516	510	19,0	1,84	5,1	698	363	1,2804

For output at different Δt than 50°C, please refer to the following formula = desired output = output at Δt 50°C x (desired Δt/50)ⁿ



LOLA[®] HORIZONTAL

POLISHED STAINLESS STEEL

3D
TRADEMARK

 **10 YEARS WARRANTY**

MATERIAL:

Vertical collectors in polished stainless steel with \varnothing of 38 mm.
Curved heating elements in polished stainless steel 30x10 mm.

FIXING KIT:

Brackets, airvent, hexagonal tool, plugs and screws for mounting suitable for use on compact or hollow brick, installation notice.
The fixing kit is compliant with VDI 6036 norm, class 4.

PACKAGING:

The radiator is protected by a recyclable film in polyethylene and with a carton box. Use and maintenance notice included.

FEATURES:

It is totally made in stainless steel with an unalterable finishing guaranteed during the years.
Thermal outputs certified in accredited laboratories in compliance with European norm EN442.

PRODUCT CERTIFICATES



P. max: 8 bar

T. max: 110° C

Available for central heating systems

Connections: n° 2 x G 1/2" - n° 1 x G 1/2"

AWARD

GOLD VILLA
AWARD

ACCESSORIES



Elegant square manual polished valve kit

Copper connection \varnothing 12/14/15
Art. Nr. 5991990301084

Multilayer connection \varnothing 16 x2
Art. Nr. 5991990301083



Elegant reverse manual polished valve kit

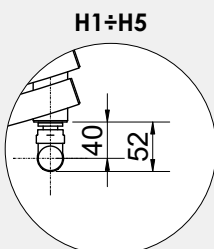
Copper connection \varnothing 12/14/15
Art. Nr. 5991990301082

Multilayer connection \varnothing 16 x2
Art. Nr. 5991990301081

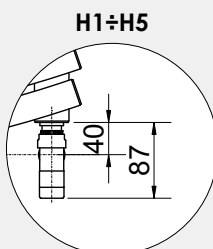


Kit 2 hooks polished stainless steel

Art. Nr. 5991990010223



Measures for Elegant square manual valve

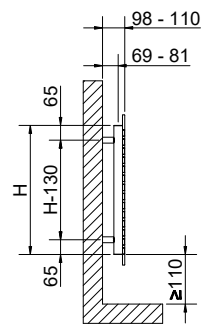
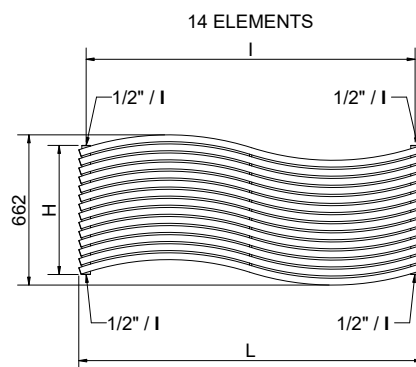
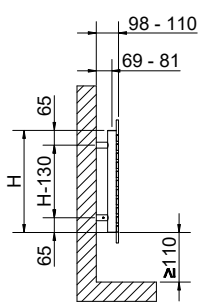
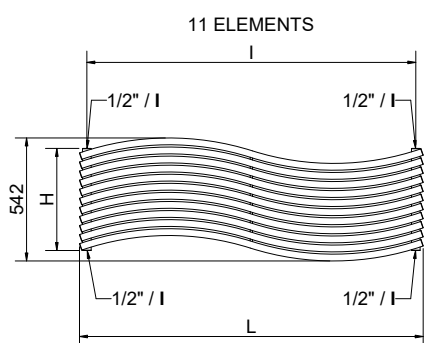
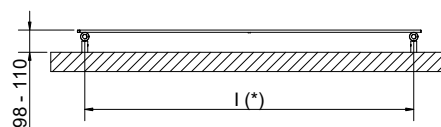
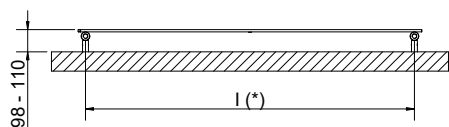
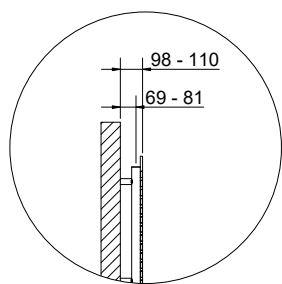


Measures for Elegant reverse manual valve



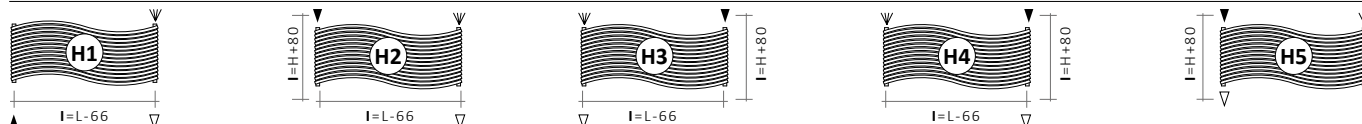
Pipe covering kit for polished valves

Art. Nr. 5103000000044



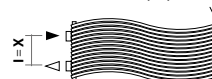
(*) The fixing kit has the same pipe centre (l) as the radiator

Standard connections



Special connection

Indicate the pipe centres X



Always specify the kind of connection needed when ordering (from H1 to H7).

Legend = ► In ▷ Out ◀ Airvent **H** Height **I** Pipe Centres **L** Width □ Connection

LOLA® HORIZONTAL

Art. Nr.	Variant	Height	Width	Pipe Centres	Dry Weight	Surface	Water Content	Thermal output Watt		Exponent n
		H [mm]	L [mm]	I [mm]				Δt = 50°C	Δt = 30°C	
3551740000005	H1	450	1516	1450	15,5	1,45	4,1	507	264	1,2746
3551740000004		570	1516	1450	19,0	1,84	5,1	645	334	1,2878
3551740000050	H2	450	1516	-	15,5	1,45	4,1	507	264	1,2746
3551740000107		570	1516	-	19,0	1,84	5,1	645	334	1,2878
3551740000108	H3	450	1516	-	15,5	1,45	4,1	507	264	1,2746
3551740000095		570	1516	-	19,0	1,84	5,1	645	334	1,2878
3551740000042	H4	450	1516	530	15,5	1,45	4,1	507	264	1,2746
3551740000068		570	1516	650	19,0	1,84	5,1	645	334	1,2878
3551740000080	H5	450	1516	530	15,5	1,45	4,1	507	264	1,2746
3551740000058		570	1516	650	19,0	1,84	5,1	645	334	1,2878
3551740000053	H6	450	1516	390	15,5	1,45	4,1	507	264	1,2746
3551740000014		570	1516	510	19,0	1,84	5,1	645	334	1,2878
3551740000051	H7	450	1516	390	15,5	1,45	4,1	507	264	1,2746
3551740000055		570	1516	510	19,0	1,84	5,1	645	334	1,2878

For output at different Δt than 50°C, please refer to the following formula = desired output = output at Δt 50°C x (desired Δt/50)ⁿ